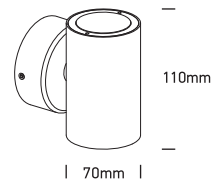


# INSTALLATION MANUAL

67136

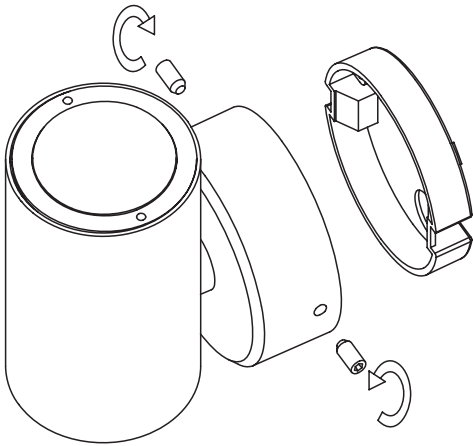
ecoLED



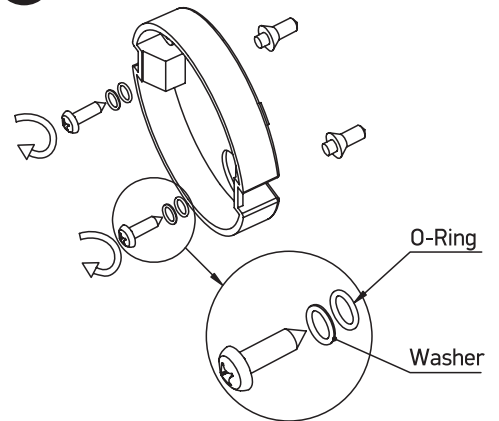
230V | 6x1W | IP54 | 50/60Hz | Die cast

Complete with LED driver

A

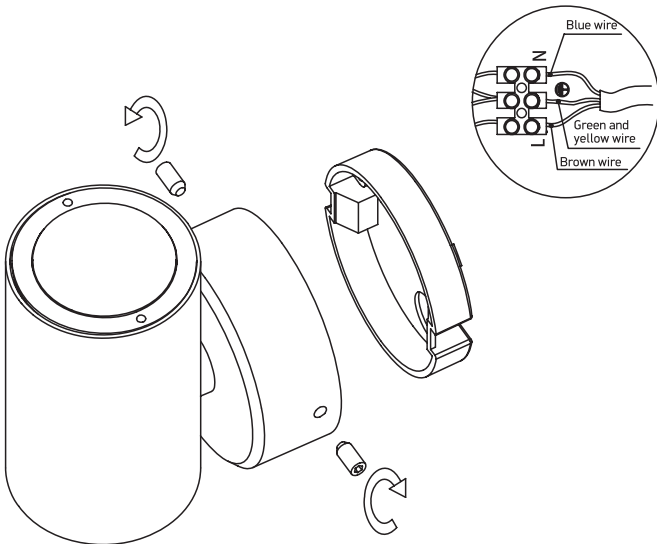


B

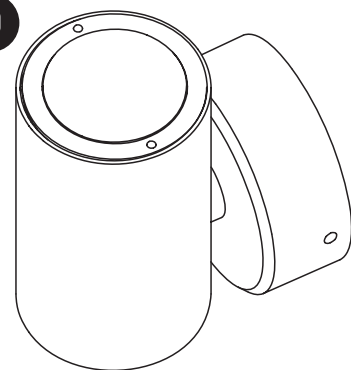


O-Ring must be under washer.  
No reverse position

C



D



## Warnings:

1. Make sure that the product is installed properly before connecting to electricity.
2. Do not cover the fitting.
3. Maintenance and installation should only be carried out by a professional electrician.